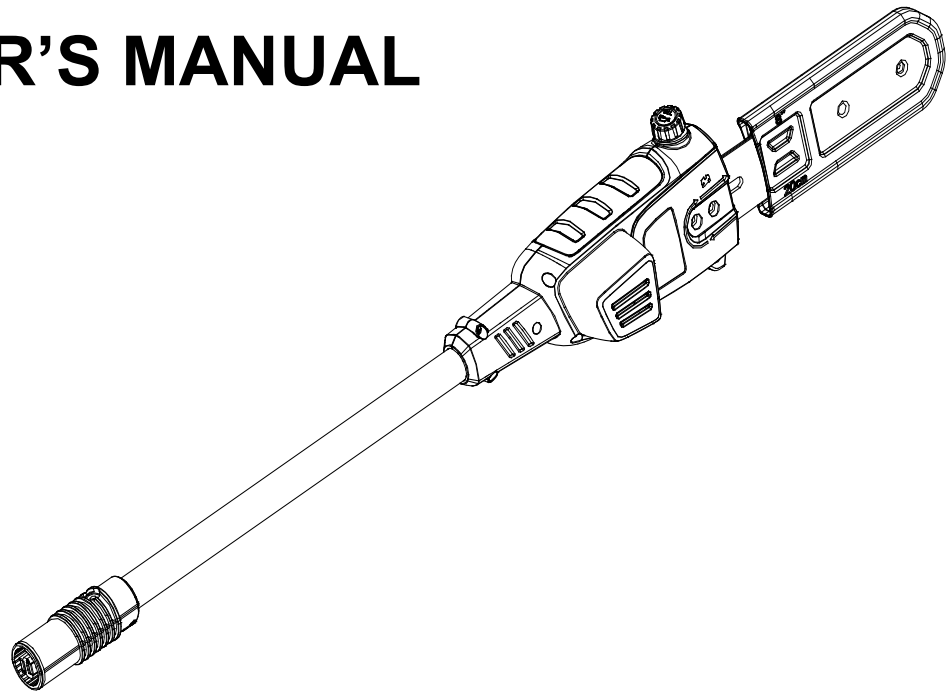


COBRA

MODELS: P20X (Attachment for LRH5024V HT31S-5015D)

COBRA POLESAW ATTACHMENT FOR LRH5024V OWNER'S MANUAL



Cobra Garden Machinery

Henton and Chattell Ltd., London Road, Nottingham NG2 3HW UK

www.cobragarden.co.uk

⚠ WARNING:

For your own safety please read this manual before attempting to operate your new unit. Failure to follow instructions can result in serious personal injury. Spend a few moments to familiarize yourself with your garden tool before each use. Keep this manual in a safe place, so that the information is available at all times. If you give the equipment to any other person, hand over these operating instructions and safety regulations as well.

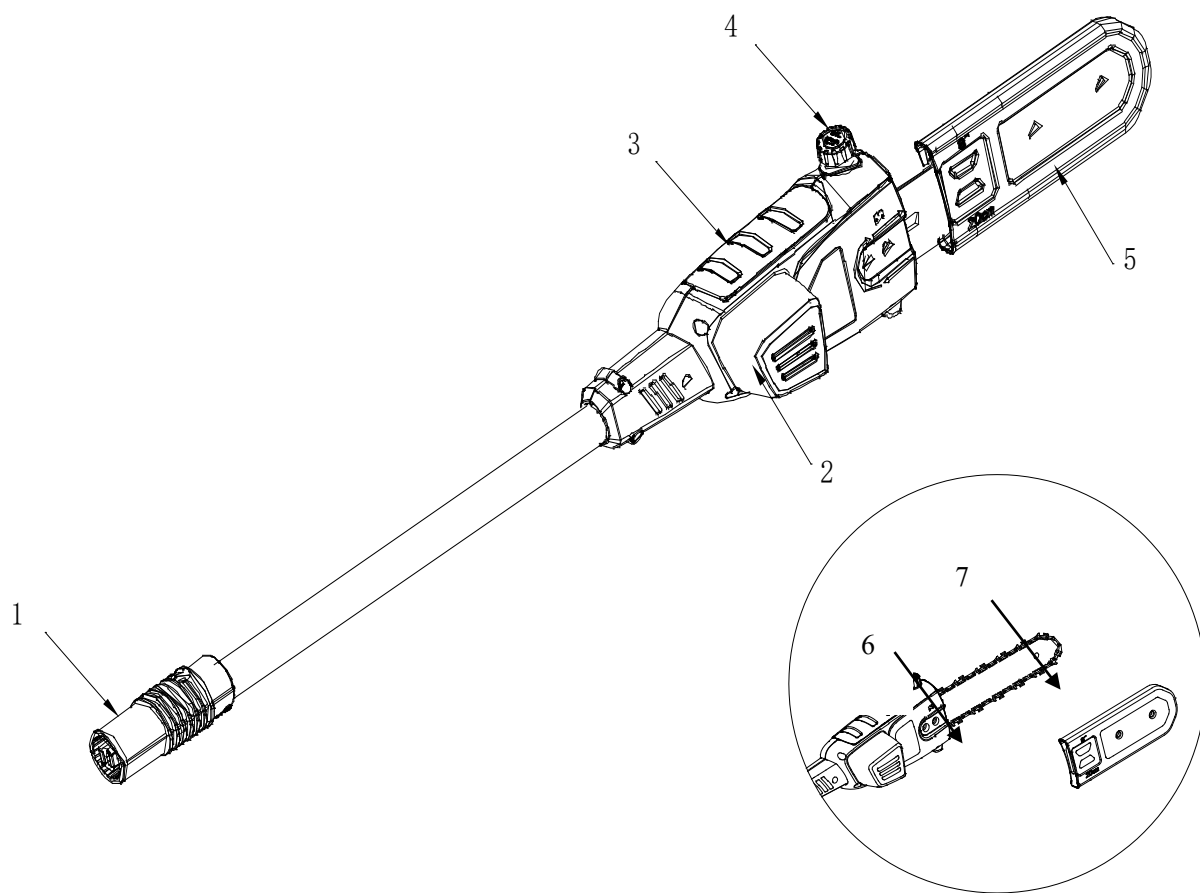
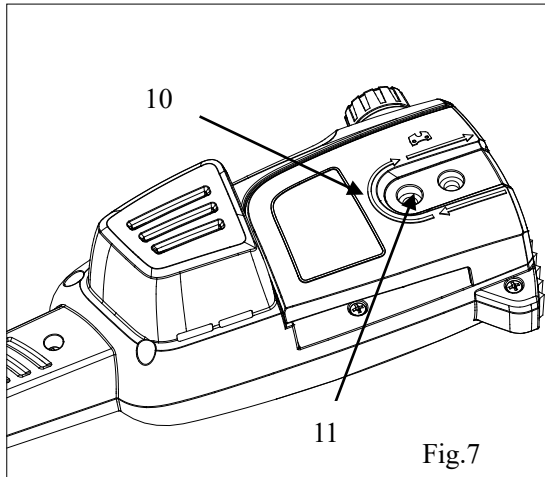
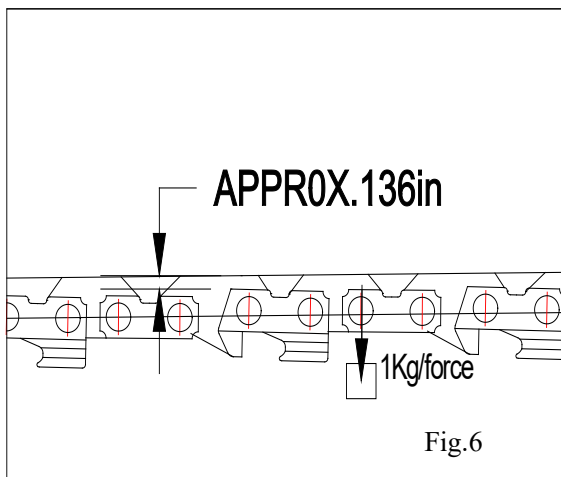
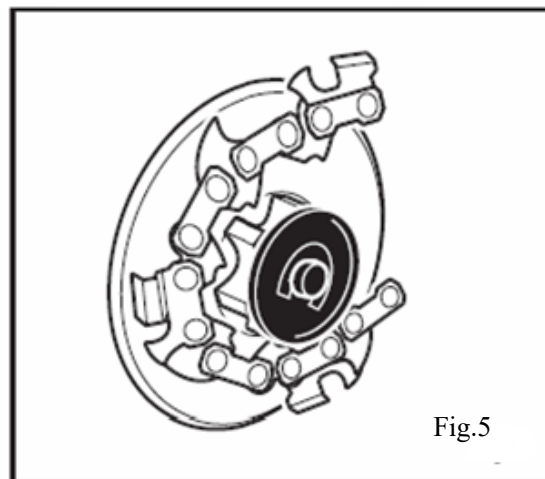
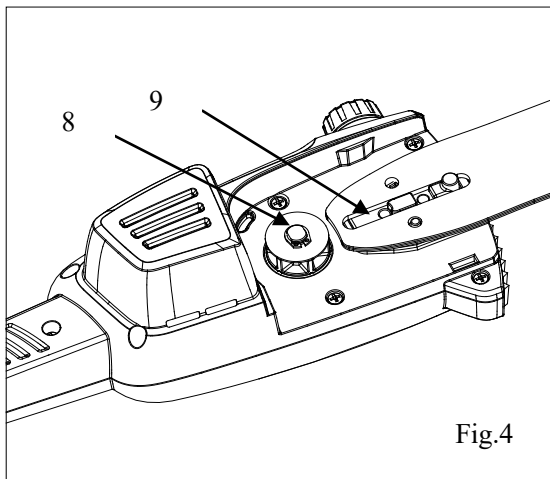
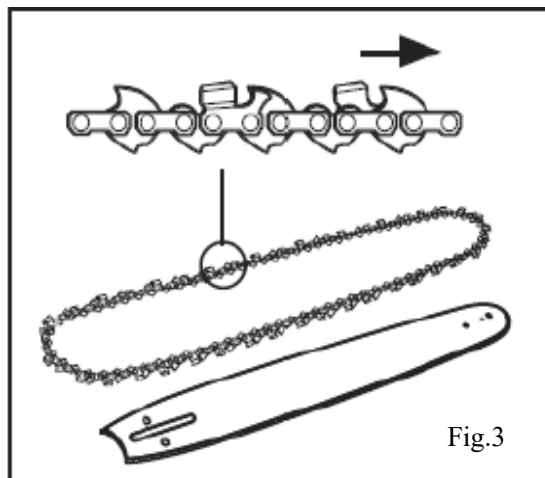
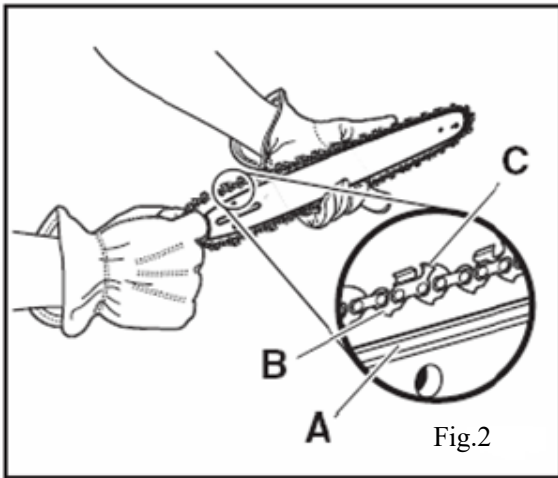


Fig.1



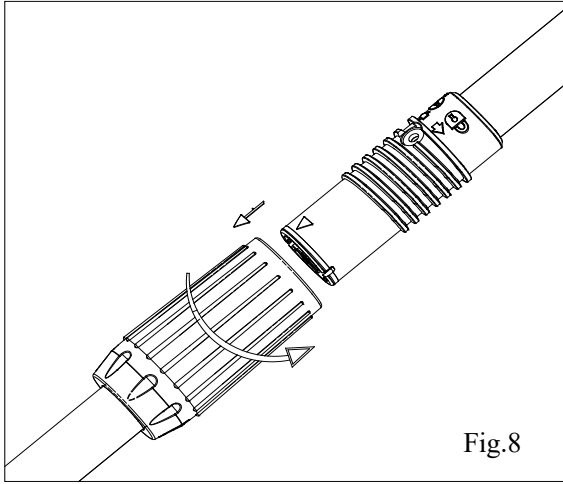


Fig. 8

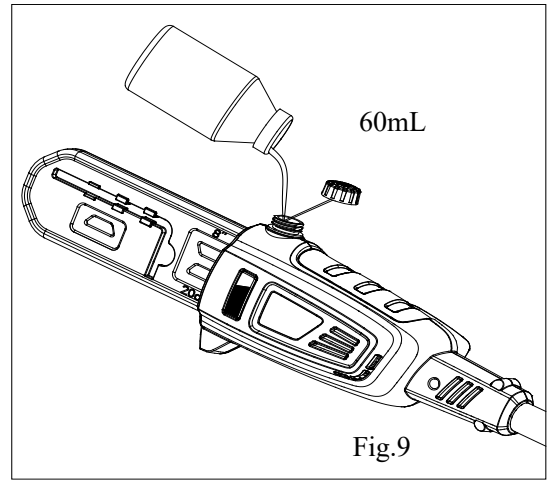


Fig. 9

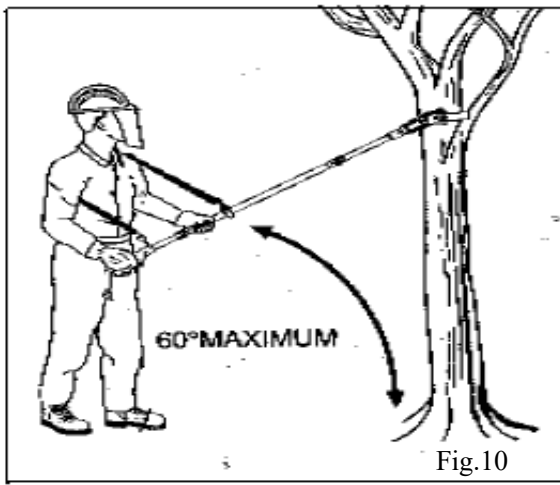


Fig. 10

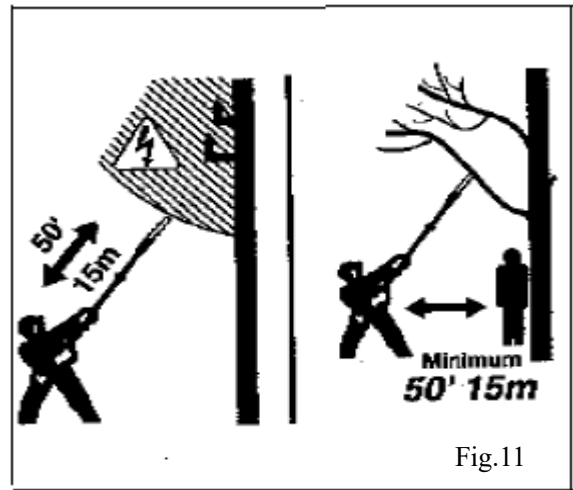


Fig. 11

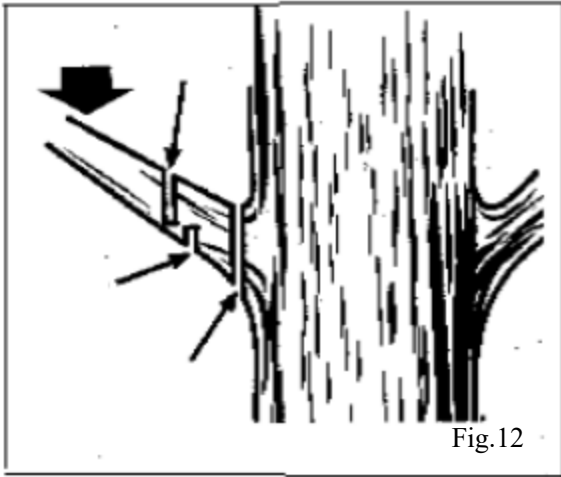


Fig. 12

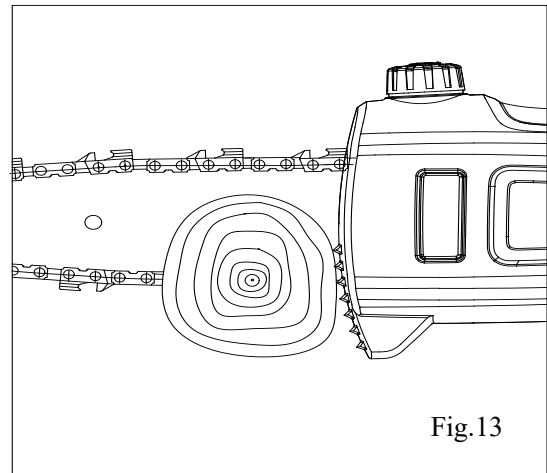
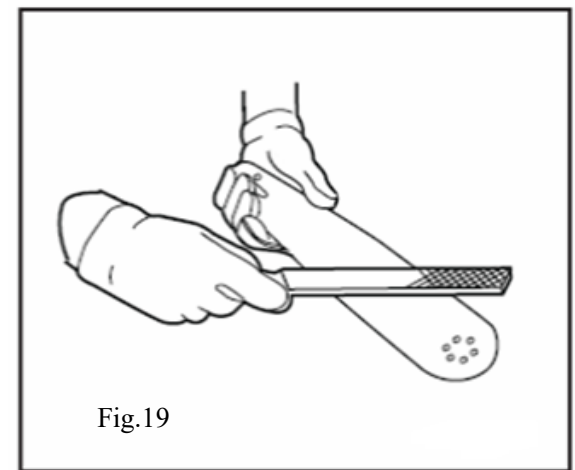
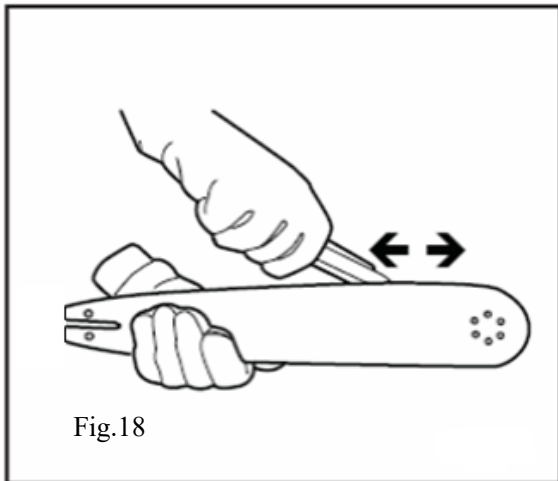
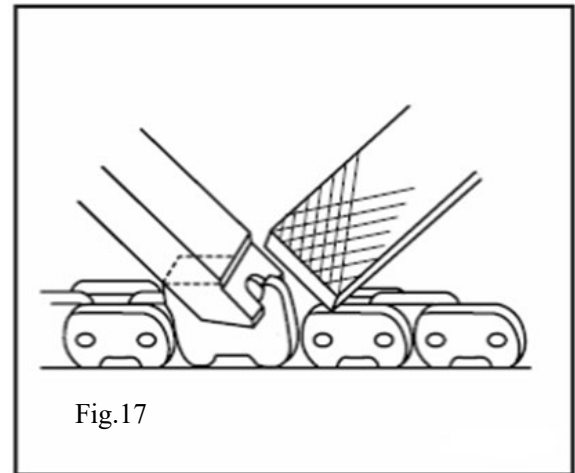
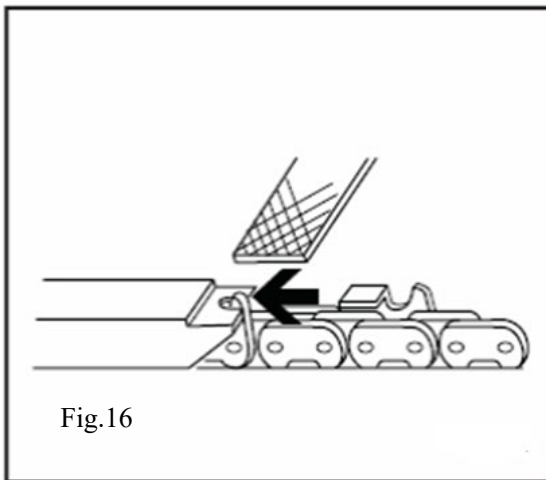
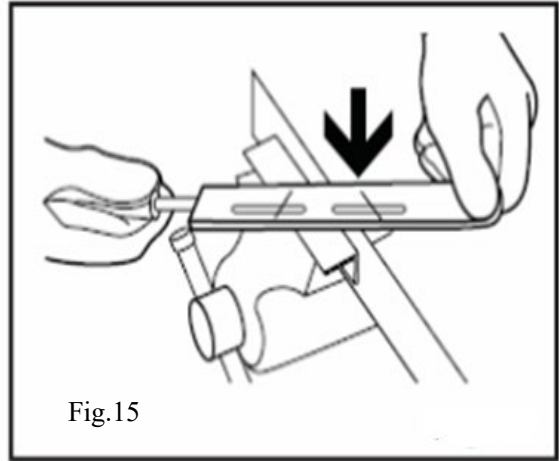
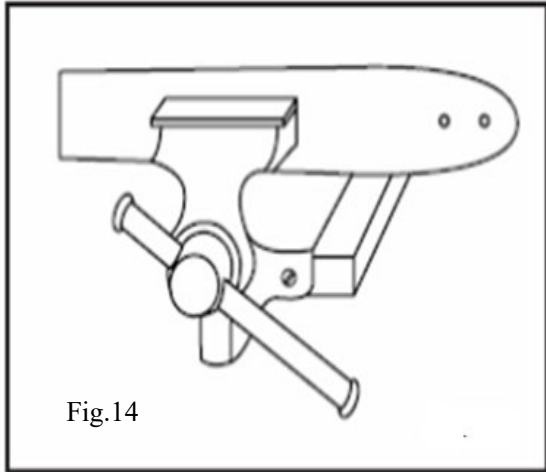


Fig. 13



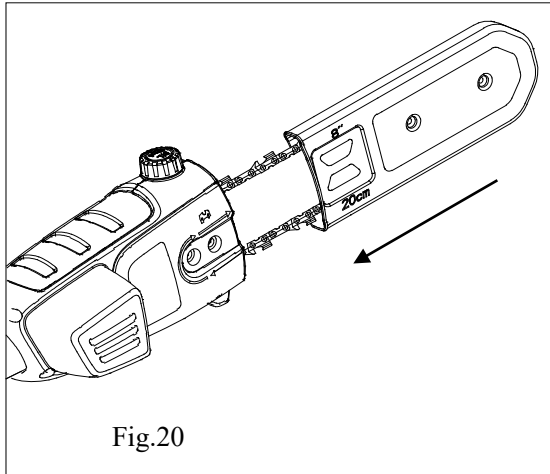


Fig.20

Operating Instructions

Please read the LRH5024V manual before operating, follow all safety instructions along with those provided in this manual.

Contents

1. General power tool safety warnings;
2. Pole chain saw safety warnings and Special safety instructions
3. Special use
4. Service
5. Descriptions
6. Technical data
7. Special product features
8. Maintenance
 - 8.1 Chain Sharpening
 - 8.2 Guide bar maintenance
 - 8.3 Filling in the chain oil
9. Accessories or repairment part
10. Disposal

1. General power tool safety warnings



WARNING—Reading the operating instructions will reduce the risk of injury.



WARNING—Reading all safety risk of injury warnings and instructions. Failure to follow the warnings and instructions may result in electric shock, fire or serious injury.

1.1 Working area safety

- a) Keep the working area clean and well illuminated. Cluttered or dark areas invite accidents.
- b) Do not operate power tools in explosive atmospheres, such as in the presence of flammable liquids, gases or dust. Power tools create sparks which may ignite the dust or fumes.
- c) Keep children and bystanders away while operating the power tool. Distractions can cause you to lose control.

1.2 ELECTRICAL SAFETY

- a) Power tool plugs must match the outlet. Never modify the plug in any way. Do not use any adapter plugs with earthed (grounded) power tools. Unmodified plugs and matching outlets will reduce risk of electric shock.
- b) Avoid body contact with earthed or grounded surfaces, such as pipes, radiators, ranges and refrigerators. There is an increased risk of electric shock if your body is earthed or grounded.
- c) Do not expose power tools to rain or wet conditions. Water entering a power tool will increase the risk of electric shock.
- d) Take care not damage the power cord to the charger. Never use the cord for carrying, pulling or unplugging the power tool. Keep the cord away from heat, oil, sharp edges or moving parts. Damaged or entangled cords increase the risk of electric shock.
- e) When operating a power tool outdoors, use an extension cord suitable for outdoor use. Use of a cord suitable for outdoor use reduces the risk of electric shock.
- f) If operating a power tool in a damp location is unavoidable, use a residual current device (RCD) protected supply. Use of an RCD reduces the risk of electric shock.

NOTE: The term “residual current device (RCD)” may be replaced by the term “ground fault circuit interrupter (GFCI)” or “earth leakage circuit breaker (ELCB)”.

1.3 PERSONAL SAFETY

- a) Stay alert, watch what you are doing and use common sense when operating a power tool. Do not use a power tool while you are tired or under the influence of drugs, alcohol or medication. A moment of distraction while operating power tools may result in serious personal injury.
- b) Use personal protective equipment. Always wear eye protection. Protective equipment such as dust mask, nonskid safety shoes, hard hat, or hearing protection used for appropriate conditions will reduce personal injuries.
- c) Prevent unintentional starting. Switch to the off-position before carrying power tools. Do not carry with your finger on the switch.
- d) Remove any adjusting key or wrench before turning the power tool on. A wrench or a key left attached to a rotating part of the power tool may result in personal injury.
- e) Do not overreach. Keep proper footing and balance at all times. This enables better control of the power tool in

unexpected situations.

f) Dress properly. Do not wear loose clothing or jewelry. Keep your hair, clothing and gloves away from moving parts. Loose clothes, jewelry or long hair can be caught in moving parts.

1.4 POWER TOOL USE AND CARE

a) Do not force the power tool. Use the correct power tool for your application. The correct power tool will do the job better and safer at the rate for which it was designed. Switch off the power tool before making any adjustments, changing accessories, or storing power tools, such preventive safety measures reduce the risk of starting the power tool accidentally.

b) Do not use the power tool if the switch does not turn it on and off. Any power tool that cannot be controlled with the switch is dangerous and must be repaired.

c) Disconnect the plug from the power source and/or the battery pack from the power tool before making any adjustments, changing accessories, or storing power tools. Such preventive safety measures reduce the risk of starting the power tool accidentally.

d) Store idle power tools out of the reach of children and do not allow persons unfamiliar with the power tool or these instructions to operate the power tool. Power tools are dangerous in the hands of untrained users.

e) Maintain power tools. Check for misalignment or binding of moving parts, breakage of parts and any other condition that may affect the power tool's operation. If damaged, have the power tool repaired before use. Many Accidents are caused by poorly maintained power tools.

f) Keep cutting tools sharp and clean. Properly Maintained cutting tools with sharp cutting edges are less likely to bind and are easier to control.

g) Use the power tool, accessories and tool bits etc. In accordance with these instructions, take into account the working conditions and the work to be performed. Use of the power tool for different operations from those intended could result in a hazardous situation.

1.5 SERVICE

Have your power tool serviced by a qualified repair person using only identical replacement parts. This will ensure that the safety of the power tool is maintained.

1.6) Other general warnings

* Know your power tool. Read the owner's manual carefully. Learn its applications and limitations as well as the specific potential hazards related to this tool.

* Use the right tool. Do not force small tools or attachments to do the job of a heavy duty tool. Do not use the tool for purposes not intended.

* Protect your lungs. Wear a dust mask if operation is dusty.

* Do not operate in poor lighting. Use the unit only in daylight or good artificial light.

* Remove the plug immediately if the mains or Extension lead is damaged or severed.

* Stay alert and exercise control. Watch what you are doing and use common sense. Do not operate the tool when you are tired. Do not rush, take care using power tools.

* Check damaged parts. Before further use of the tool, a guard or any other part that is damaged should be carefully checked to determine that it will operate properly and perform its intended function. Check for alignment of moving parts, binding of moving parts, breakage of parts, mounting and any other conditions that may affect its operation. A guard or any other part that is damaged should be properly repaired or replaced by an authorized service center.

* Do not use tool if switch does not turn it on and off. Have defective switches replaced by authorized service

center.

- * Do not operate this tool while under the influence of drugs, alcohol or any medication.
- * The appliance is not intended for use by young or infirm persons.
- * Young children should be supervised to ensure that they do not play with the appliance.
- * The use of an earth-leakage circuit Breaker or residual current device in conjunction with this tool is recommended.
- * Maintain the chain saw with care. Keep clear of the chain in all times. Take care covering the chain saw with the provided guard when carrying.
- * Chain tension. Make sure that the chain Tension is correct, as specified in these instructions. Incorrect tension may cause the chain disengage from the guide bar, which is extremely dangerous.

2. Pole chain saw safety warnings Special safety instructions

- * Keep all parts of the body away from the pole chain saw when the chain saw is operating. Before you start the pole chain saw, make sure the pole chain is not contacting anything. A moment of distraction while operating the pole chain saw may cause entanglement of your clothing or body with the pole saw chain.
- * Always hold the chain saw with your right hand on the rear handle and your left hand on the front handle. Holding the pole chain saw with a reversed hand configuration increase the risk of personal injury and should never be done.
- * Wear safety glasses, chainsaw helmet and hearing protection. Further protective equipment for head, hands, legs and feet is recommended. Adequate protective clothing will reduce personal injury from flying debris or accidental contact with the saw chain.
- * Do not operate a pole chain saw in a tree. Operation of a pole chain saw while up in a tree may result in personal injury.
- * Always keep a proper footing and operate the pole chain saw only when standing on fixed, secure and level surface. Slippery or unstable surfaces such as ladders may cause a loss of balance or control of the pole chain saw.
- * When cutting a limb that is under tension be alert for spring back. When the tension in the wood fibers is released the spring loaded limb may strike the operator and / or throw the chain saw out of the control.
- * Use extreme caution when cutting brush and saplings. The slender material may catch the saw chain and be whipped towards you or pull you off balance.
- * Carry the chain saw by the front handle with the chain saw switched off and away from your body. When transporting or storing the chain saw always fit the guide bar cover. Correct handling of the pole chain saw will reduce the likelihood of accidental contact with the moving pole chain.
- * Follow instructions for lubricating, chain tensioning and changing accessories. Improperly tensioned or lubricated chain may either break or increase the chance of kickback.
- * Keep handles dry, clean, and free from oil and grease. Greasy, oily handles are slippery causing loss of control.
- * Cut wood only. Do not use pole chain saw for purposes not intended. For example: do not use the pole chain saw for cutting plastic, masonry or non-wood building materials. Use of the pole saw for operations different than intended result in a hazardous situation.
- * Causes and operator prevention of kickback may occur when the nose or tip of the guide bar touches an object, or when the wood closes in and pinches the pole chain in the cut. Tip contact in some cases may cause a sudden reverse reaction, kicking the guide bar up and back towards the operator. Saw users, should take several steps to keep your cutting jobs free from accident or injury. Kickback is the result of tool misuse and / or incorrect operating

procedures or conditions and can be avoided by taking proper precautions as given below:

** Maintain a firm grip, with thumbs and fingers encircling the pole chain saw handles, with both hands on the saw and position your body and arm to allow you to resist kickback force. Kickback forces can be controlled by the operator, if proper precautions are taken. Do not let go of the chain saw.

** Only use replacement bars and chains specified by the manufacturer. Incorrect replacement bars and chains may cause chain breakage and / or kickback.

** Follow the manufacturer's sharpening and maintenance instructions for the saw chain. Decreasing the depth gauge height can lead to increased kickback.

Additionally:

** Practice cutting logs on a saw-horse or cradle before attempting more difficult tree pruning operations.

3. Special Use

The pole saw is designed for cutting through tree trunks, branches, squared timber and similar objects and for felling trees.

The user bears sole responsibility for damage caused by improper use.

Generally accepted accident prevention regulations and the enclosed safety information must be observed.

Safety Notes

Explanation of symbols



General hazard safety alert.



Read instruction manual.



Do not use the machine in the rain or leave it outdoors when it is raining.



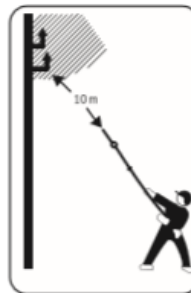
Pay attention that bystanders are not injured through foreign objects thrown from the machine.



Warning: Keep a safe distance from the machine when operating.






Always wear gloves and safety goggles. Further protective equipment such as non-skid safety shoes and a hard hat is recommended. Adequate protective clothing will reduce personal injury by falling branches and accidental contact with the cutting blade.



Never touch power supply or telephone lines. These lines conduct high voltage and there is severe danger of electric shock. Keep a minimum distance of 10 m.

Warning: Bystanders should keep a safe distance from the machine when operating.

The following signal words and meanings are intended to explain the levels of risk associated with this product .

SYMBOL	SINGAL	MWANING
	DANGER	Indicates an imminently hazardous situation which ,if not avoided ,will result in death or serious injury .
	WARNING	Indicates a potentially hazardous situation which ,if not avoided ,will result in death or serious injury .
	CAUTION	Indicates a potentially hazardous situation which ,if not avoided , may result in minor or moderate injury .
	CAUTION	(Without Safety Alert Symbol) Indicates a situation that may result in property damage .

4. SERVICE

Servicing requires extreme care and knowledge and should be performed only by a qualified service Technician. For service we suggest you return the product to your nearest AUTHORISED SERVICE CENTRE for repair. When servicing use only identical replacement parts.



WARNING: To avoid serious personal injury, do not attempt to use this product until you read thoroughly and understand completely the operator's manual. Save this operator's manual and review frequently for safe operation and instructing others who may use this product.



WARNING: Observe all normal safety precautions related to avoiding electrical shock.

SAVE THESE INSTRUCTIONS

5. DESCRIPTION

Fig. 1

1. Interior Lock Sleeve 2. Housing 3. Decorating Block 4. Oil cap 5. Scabbard 6. Chain 7. Bar

Fig. 2

A. Bar Groove B. Chain Drive Links C. Cutter

Fig. 3

Place the chain as shown in figure 2.

Fig. 4

8. Chain Wheel 9. Adjust bolt

Fig. 5-6

The drive links of a correctly tensioned warm chain will hang approximately 0.136 in, out of the bar groove.

Warning: To avoid possible serious injury, never touch or adjust the chain while the motor is running. The saw is very sharp; always wear protective gloves when performing maintenance to the chain. Remove the battery first.

*Stop the motor and remove the battery before setting the chain tension. Make sure the guide bar nut is loose to finger tight, turn the chain tensioning screw clockwise to tension the chain.

Note: A cold chain is correctly tensioned when there is no slack on the underside of the guide bar, the chain is snug, but it can be turned by hand without binding.

*Chain must be re-tensioned whenever the flats on the drive links hang out of the bar groove.

*During normal operation, the temperature of the chain will increase.

Note: New chains tend to stretch; check chain tension frequently and tension as required. Chain tensioned while warm, may be too tight upon cooling. Check the "cold tension" before next use.

Fig. 7

10. Hexagonal Head Screw 11. Guide-bar Cover

Fig. 8

*Disconnect the pole chain saw from the power supply, the main trimmer tool.

*Push the poles towards each other to lengthen the pole or pull away from each other to shorten the pole.

*Rotate the collar clockwise to make poles tight.

Note: Extend the pole only to the length required to reach the limb being cut. Do not extend the handle above waist height.

*When the desired length is achieved, rotate the collar clockwise to secure.

Note: Adjust hand placement on the shaft of the pole chain saw to keep proper balance. Do not attempt to use the pole chain saw at a length which does not allow you to achieve proper footing and balance at all times.

Fig. 9

Note: Pole chain saw comes from the factory with no bar and chain oil added. The level should also be checked after every 15 minutes of use and refilled as needed.

*Remove the oil cap.

*Carefully pour the bar and chain oil into the tank.

*Wipe off excess oil.

*Check and fill the oil tank when oil line is low.

*Repeat as needed.

Fig. 10-11

This unit designed for trimming small branches and limbs up to 15 cm in diameter. For best result, observe the following precautions.

*Plan the cut carefully. Be aware of the direction in which the branches will fall.

*Branches may fall in unexpected directions. Do not stand directly under the branches being cut.

*The most typical cutting application is to position the unit at an angle of 60° or less, depending on the specific situation, as shown in Figure 13 and 14. As the angle of the pole chain saw shaft to ground increase, the difficulty of making the first cut (from the underside of limb) increases.

*Remove long branches in several stages.

*Cut lower branches first to allow the top branches more room to fall.

*Work slowly, keeping both hands on the saw with a firm grip. Maintain a secure footing and balance.

*Keep the tree between you and the chain while limbing. Cut from side of tree opposite branch you are cutting.

*Do not cut from a ladder; this is extremely dangerous. Leave this operation for professionals.

*Do not make the flush cut next to the main limb or trunk until you have cut off the limb further out to reduce the weight. Follow proper cutting procedure will prevent stripping the bark from the main member.

*Do not use the pole chain saw for felling or bucking.

*To prevent electrocution, do not operate within 15m of overhead electrical lines.

*Keep bystanders at least 15m away.

Fig.12-13

preparation

*Wear non-slip gloves for maximum grip and protection.

*Maintain a proper grip on the unit whenever the motor is running. Use your right hand to firmly grip the rear handle while your left hand has a firm grip on the pole shaft.

*Hold the unit firmly with both hands. Always keep your left hand on the pole shaft and your right hand on the rear handle, so your body is to the left of the chain line. Never use a left-handed (cross-handed) grip, or any stance that places your body or arm across the chain line.

*Never stand directly under the limb you are cutting.

*Be certain the collars are fully tightened before operating equipment; check them periodically for tightness during use to avoid injury.

Basic cutting procedure

Follow the steps below to prevent damage to trees or shrub bark. Do not use a back-and-forth sawing motion.

*Make a shallow first cut (1/4 of limb diameter) on the underside of the limb close to the main limb or trunk.

*Make a second cut from the top side of the limb outboard from the first cut. Continue cut through the limb until the limb separates from the tree. Be prepared to balance the weight of the tool when the limb falls.

*Make a final cut close to the trunk.

*Always stick the spiked bumper to the limb or trunk when cutting.

Note: For second and final cuts (from top of limb or branch), hold front cutting guide against the limb being cut.

This will help steady the limb and make it easier to cut. Allow the chain to cut for you; exert only light downward pressure. If you force the cut, damage to the bar, chain, or motor can result.

*Release the trigger as soon as the cut is completed.

Failure to follow proper cutting procedures will result in the bar and chain binding and becoming pinched or trapped in the limb. If this should happen:

*Stop the motor and disconnect from power supply.

*If the limb can be reached from the ground, lift the limb while holding the saw. This should release the "pinch" and free the saw.

*If the saw is still trapped, call a professional for assistance.

Fig. 14-19

When the chain penetrates into wood with difficulty, It needs sharpening as follows:

*Put the chain under tension.

*Fasten the bar in a vice so that the chain can slide.

*Fasten the file to the file holder and place it on cutter at a 35° angle.

* File with forward strokes only until all the worn out part of the cutting edge is taken away.

*Count the number of strokes given to the cutter taken as a reference basis and file away for the same number of strokes on all other cutters.

* If after sharpening a few times, the depth gauge protrudes from the template , you must reset its Level use a flat file.

* Finally , round off the depth gauge.

NOTE: We advise you to have the deep or important sharpening carried out by a service agent who is equipped with electric sharpener. Or alternatively replace the chain.

Fig. 20

Clean all foreign material from the product.

Always place the scabbard on the saw bar when transporting or storing the pole chain saw. The scabbard is a snug fit and must be attached very carefully due to the sharp teeth on the saw chain. This is best done by grasping the scabbard at one end, in the center portion of the scabbard, and carefully sliding it over the chain. Use caution to avoid the sharp teeth of the chain.

6. Technical data		
No Load Speed	Rpm	1900-2200
Cutting Length	mm	183
Max Cutting Speed	m/s	3.81
Bar & Chain	Inch	8 Inch Oregon chain & bar
Chain oil tank capacity	ml	60
Weight (without cable)	Kg	1.84Kg

Chain & Bar information

For		
Manufacturer	Chain	Chain bar
Oregon	90JG033X	084MLEA041
Oregon	91P033X	080SDEA041

Note: Carlton Chain must be fitted with Carlton Bar ; Oregon Chain must be fitted with Oregon Bar .

7. Special Product Features

- * Special safety wrap-spring chain break. In case of a kickback or if the trigger is released, The pole chain saw comes to a standstill within 1/10 of a second .Sawing chain with safety driving links to reduce the risk of kickback.
- * Switch with lock to protect against unintentional start of the chainsaw .
- * Live indicator indicates the tool is powered.

8. Maintenance (Fig. 14-20)

8.1 Chain Sharpening

When the chain penetrates into wood with difficulty, it needs sharpening as follows:

- * Put the chain under tension.
- * Fasten the bar in a vice so that the chain can slide.
- * Fasten the file to the file holder and place it on cutter at a 35° angle.
- * File with forward strokes only until all the worn out part of the cutting edge is taken away.
- * Count the number of strokes given to the cutter taken as a reference basis and file away for the same number of strokes on all other cutters.
- * If after sharpening a few times, the depth gauge protrudes from the template, you must reset its level use a flat file.
- * Finally, round off the depth gauge.

NOTE: We advise you to have the deep or important Sharpening carried out by a service agent who is equipped with electric sharpener.

8.2 GUIDE BAR MAINTENANCE

- * Remove the battery / disconnect from power control head. Always wear protective gloves.
- * When you have finished working, clean out the groove and the oil passages, with a scraping hook.
- * Periodically trim the sides of rails using a flat file.
- * If not done in the long run, the “featheredges” might break away and damage the bar.
- * If one rail is higher than the other one, it is necessary to make it even with a flat file and then smooth them with a file or fine grain abrasive paper.

8.3 Filling in the chain oil

To prevent dirt getting inside the tank, clean the oil tank cap before opening. Check the contents of the oil tank during sawing work by checking the oil gauge. Close the oil tank cap tightly and wipe away any spills.

9. Accessories or repair part

Use only genuine Cobra accessories or repair parts.

If you need any accessories, check with your dealer. The main accessories (Chain & Bar) are as below:

Model	Chain & Bar
	Oregon Chain 90JG033X & Bar 084MLEA041
	Oregon Chain 90PJ033X & Bar 080SDEA041

TROUBLESHOOTING

PROBLEM	POSSIBLE CAUSE	REMEDY
Bar and chain running hot and smoking	Check chain tension for over tightened condition Bar lube reservoir empty	Tension chain, refer to chain tension earlier in this manual Check bar lube reservoir
Motor runs, but chain is not rotating	Chain tension too tight check guide Bar and chain assembly. Check guide bar and chain for damage	Retention chain. Refer to chain Tension earlier in this manual. Refer to replacing bar and chain tension earlier in this manual. Inspect guide bar and chain.

10. Disposal



Power tools and accessories contain large amount of valuable resources and plastics that can be recycled. Waste electrical products should not be disposed of together with household waste. Please recycle where facilities exist. Check with your local authority or retailer for recycling advice.